



Q647 MOUNTING BASE KIT

(PLEASE REFER TO DRAWINGS ON REVERSE SIDE OF THIS SHEET)

The FMI Mounting Base Kit Q647 allows horizontal or vertical mounting of "Q" line pumps. It replaces the Multi-Position Tilt Stand Q650 that is standard on most models.

Assembly Instructions Q647 Mounting Base Kit

- 1.0 Read Safety Instructions carefully before attempting to install Q647 Mounting Base Kit.
- 2.0 Remove Q650 Multi-Position Tilt Stand from base assembly by loosening the two mounting screws washers, weld nuts, cross bar and protective caps.
- 3.0 Remove the two rubber feet and drive screws from base assembly.
- 4.0 Reverse the stroke adjustment assembly *Remove speed knob from the assembly (Not required), and add Q447 Flow Control Bushing (Refer to Fig 1).
- 5.0 Install Mounting Base Q648 by positioning the Mounting Base under the assembly and lining up the mounting holes. Secure using self tapping screws 110528-6 in the front and Socket Head Screws 110290-12, Lock Washers 110049 and Hex Nuts 110133 in rear (Refer to Fig 1).
- 6.0 See Figure 2 for Mounting Base Q647 Bolt Hole Pattern.

6	Q648	PEDESTAL BRACKET, QP	1
5	Q447	FLOW CONRTOL BUSHING	1
4	110528-6	SCREW, PHS 8-32 X 3/8" SELF TAP	2
3	110290-12	SCREW, SHC 8-32 X 3/4"	2
2	110133	NUT, HEX 8-32 X 11/32"	2
1	110049	WASHER, INT. TOOTH LOCK #8	4
ITEM	PART NO.	DESCRIPTION	QTY
PARTS LIST			

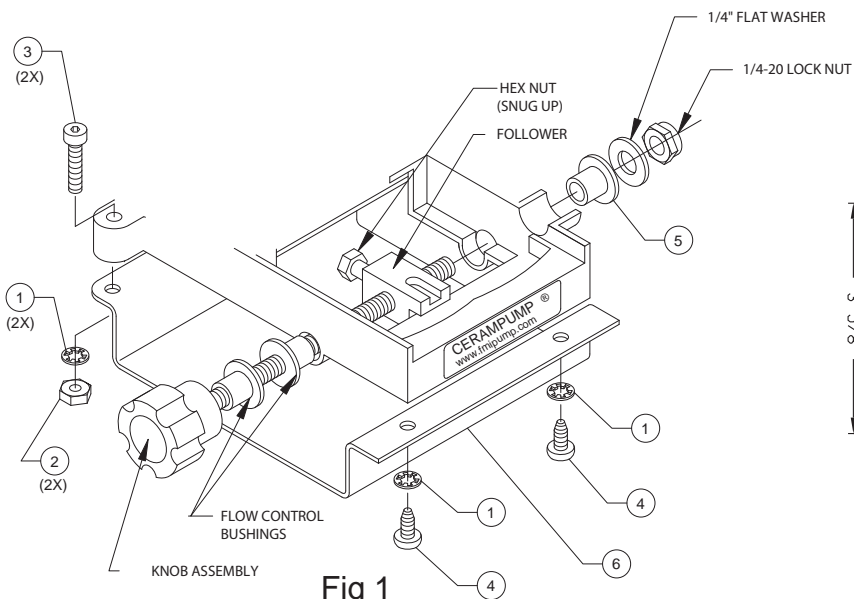


Fig 1

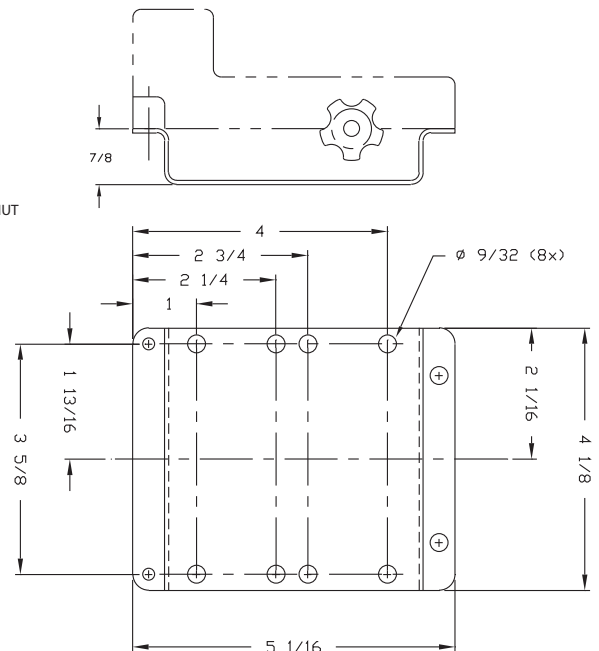


Fig 2