



RATIO:MATIC

INSTRUCTIONS

MODELS Q2B, Q2V

The FMI Ratio:matic Duplex is similar in design to the standard FMI "Q" pump. Please review Q431- Instruction and Parts Identification sheet for general information on both "Q" Models, and Instruction sheet V100 for the variable-speed models "Q2V".

DESCRIPTION

The Ratio:matic Duplex pumps configure two Pump Head Modules (PHM's) on one Pump Drive Module. The position of the PHM's is very important, see figs. 1 & 2 for proper PHM positioning. There are two operating modes for the Ratio:matic. In both modes, stroke rate is directly proportional to the flow.

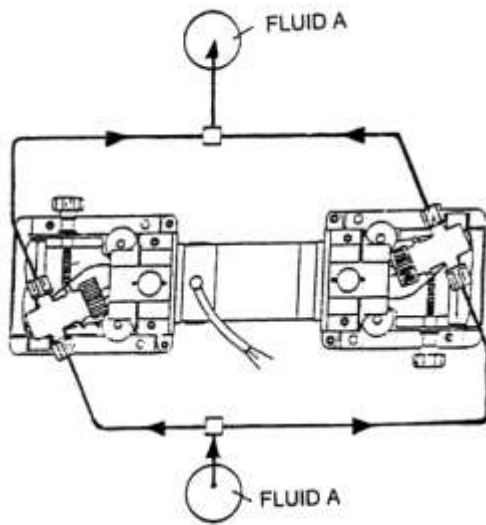


FIG. 1 DOUBLING FLOW

1. **Doubling Flow:** with two identical pump heads twice the normal flow is achieved with system pulsation's reduced as much as 50%, see fig. 1.

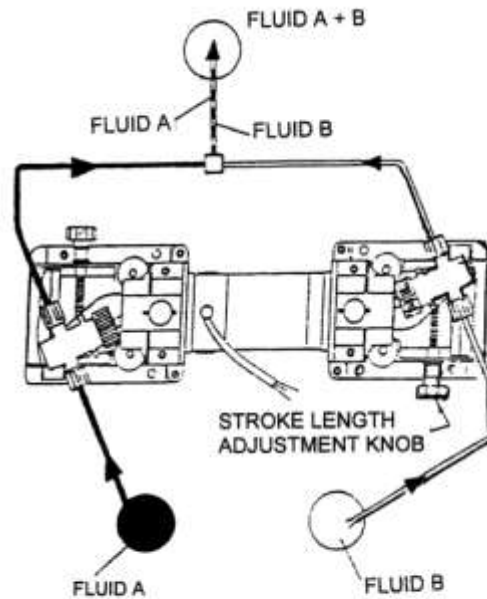
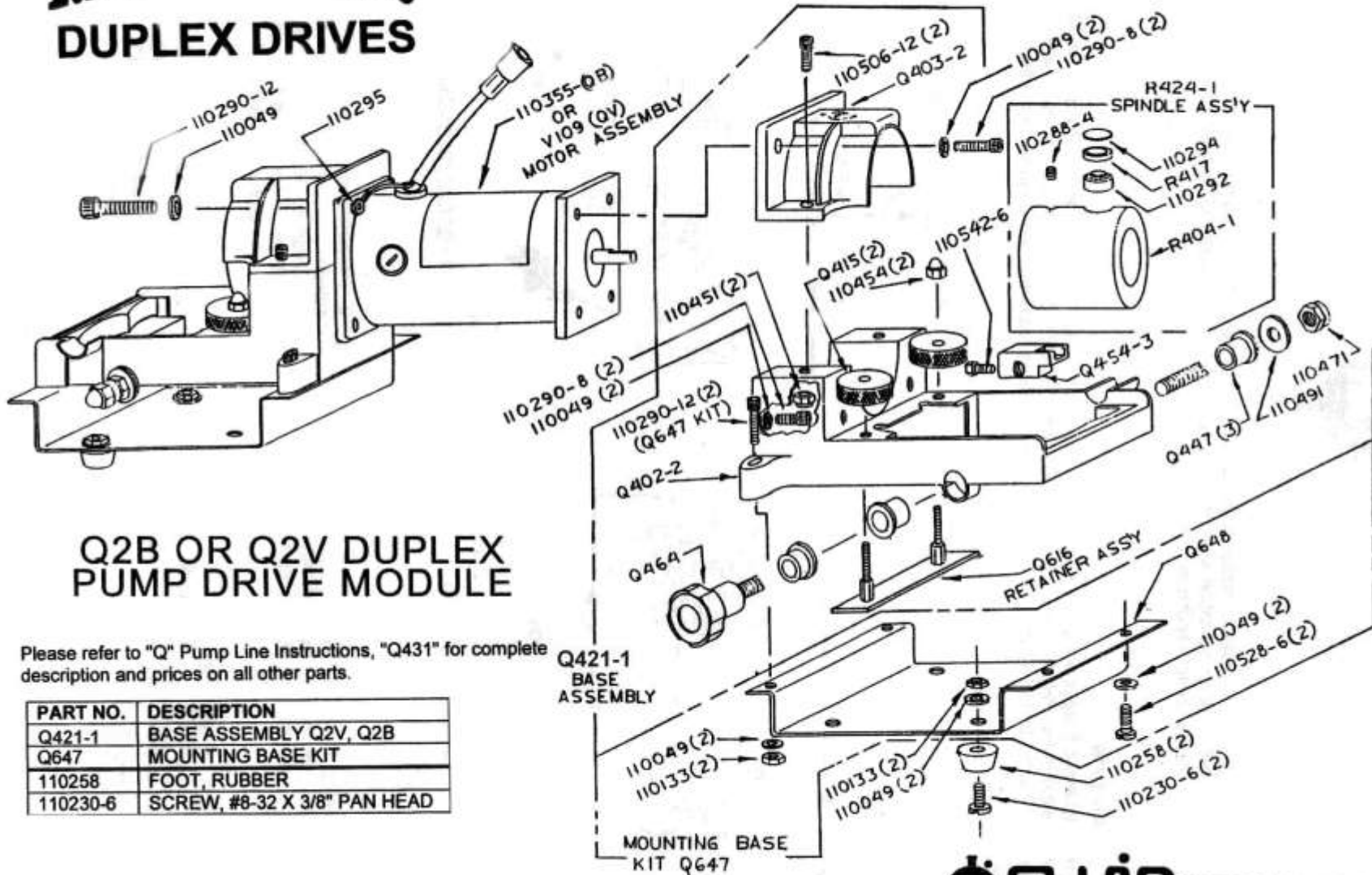


FIG. 2 PROPORTIONING FLOW

2. **Proportioning Flow:** with suitable PHM selection two separate fluids are precisely proportioned. Ratios are varied by stroke adjustment of respective Pump Head Modules relative to each other, see fig. 2.

RATIO:MATIC[®]

DUPLEX DRIVES



Q2B OR Q2V DUPLEX PUMP DRIVE MODULE

Please refer to "Q" Pump Line Instructions, "Q431" for complete description and prices on all other parts.

PART NO.	DESCRIPTION
Q421-1	BASE ASSEMBLY Q2V, Q2B
Q647	MOUNTING BASE KIT
110258	FOOT, RUBBER
110230-6	SCREW, #8-32 X 3/8" PAN HEAD

IN-Q2-431-08

FMI FLUID METERING, INC.
 5 AERIAL WAY, SUITE 500, SYOSSET, NY 11791
 (800) 223-3388 (516) 922-0050 fax: (516) 624-8261 <http://www.fluidmetering.com>